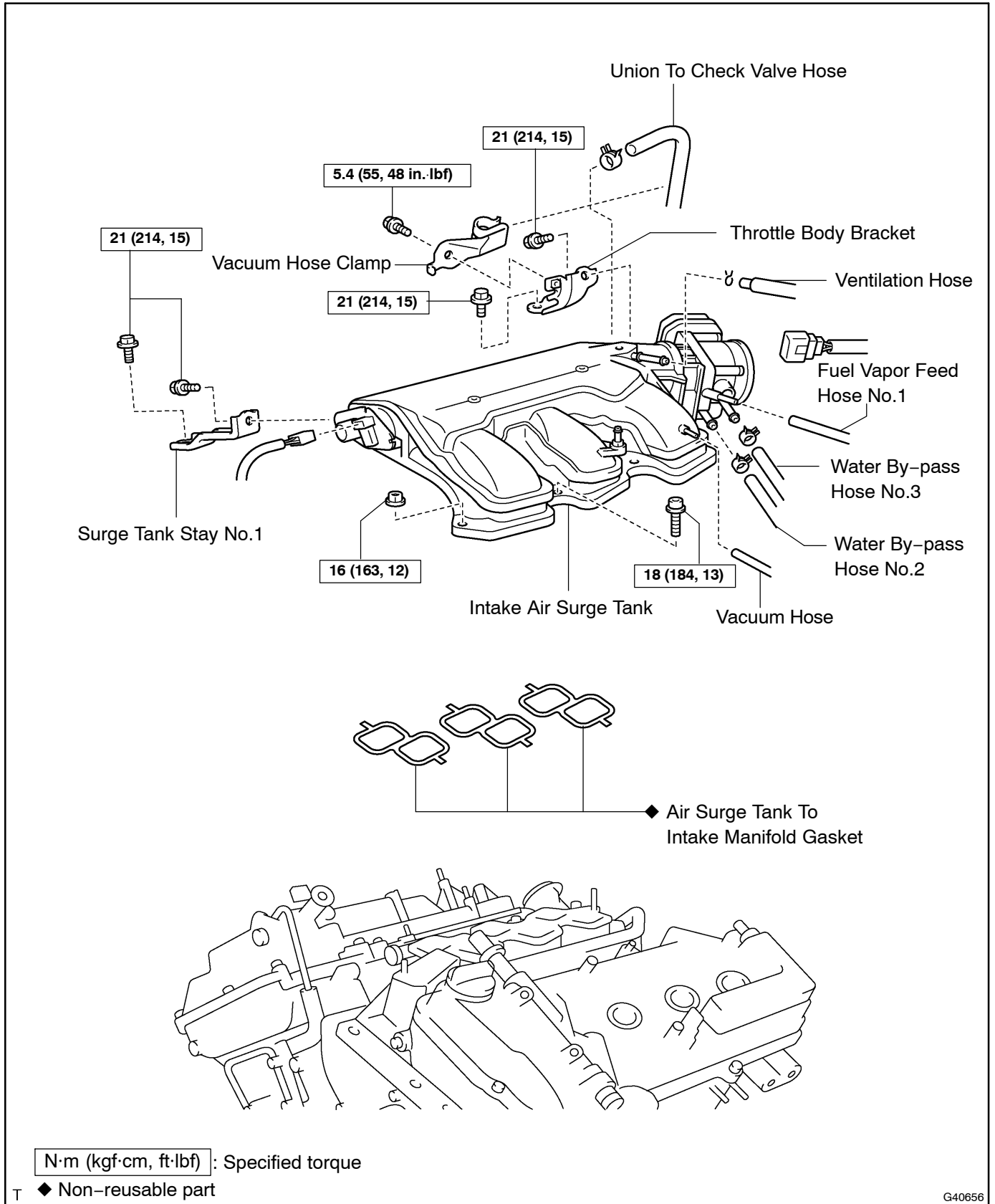
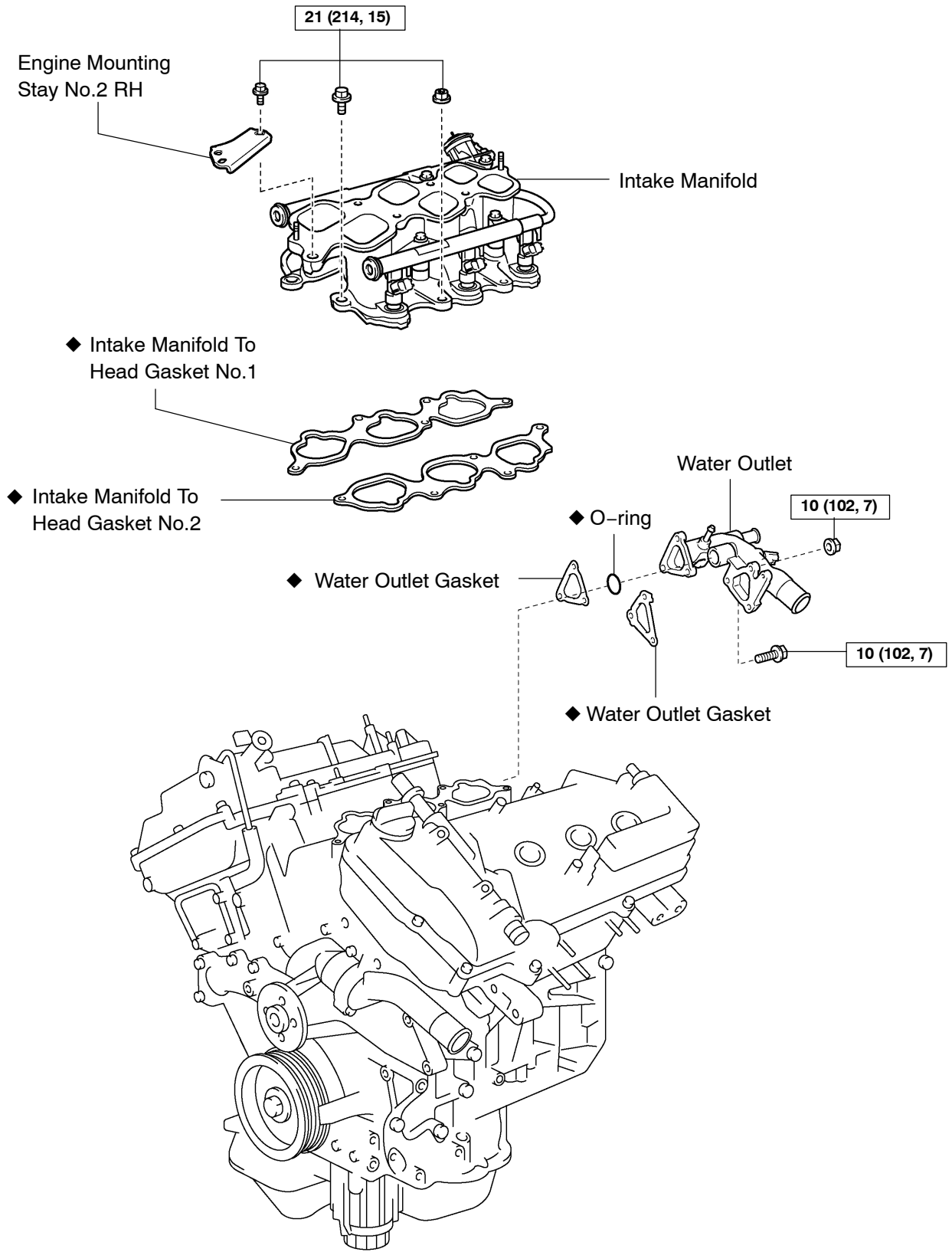


# CYLINDER HEAD GASKET (2GR-FE) COMPONENTS

14240-01



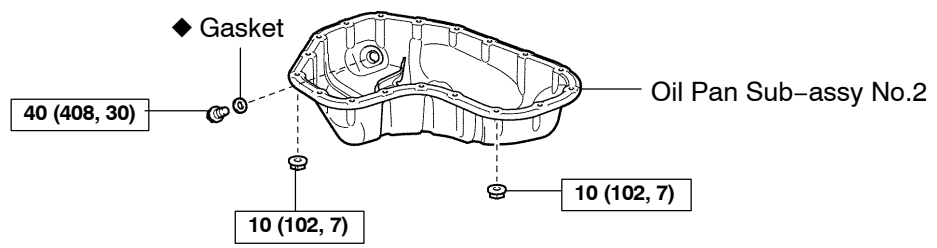
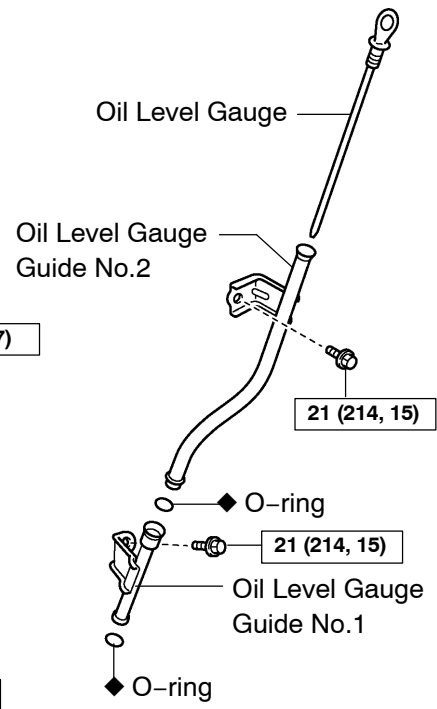
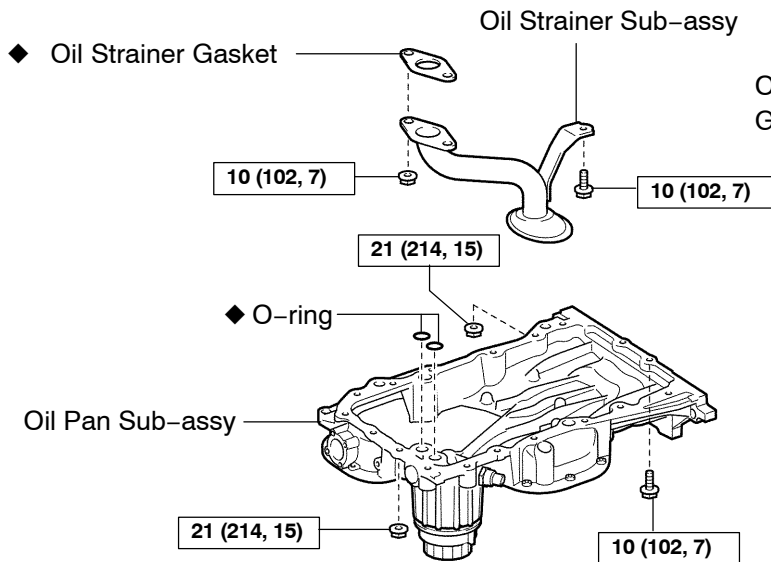
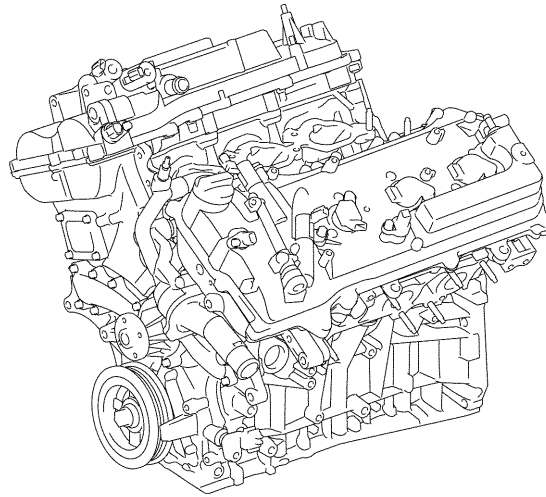


**N·m (kgf·cm, ft·lbf)** : Specified torque

◆ Non-reusable part

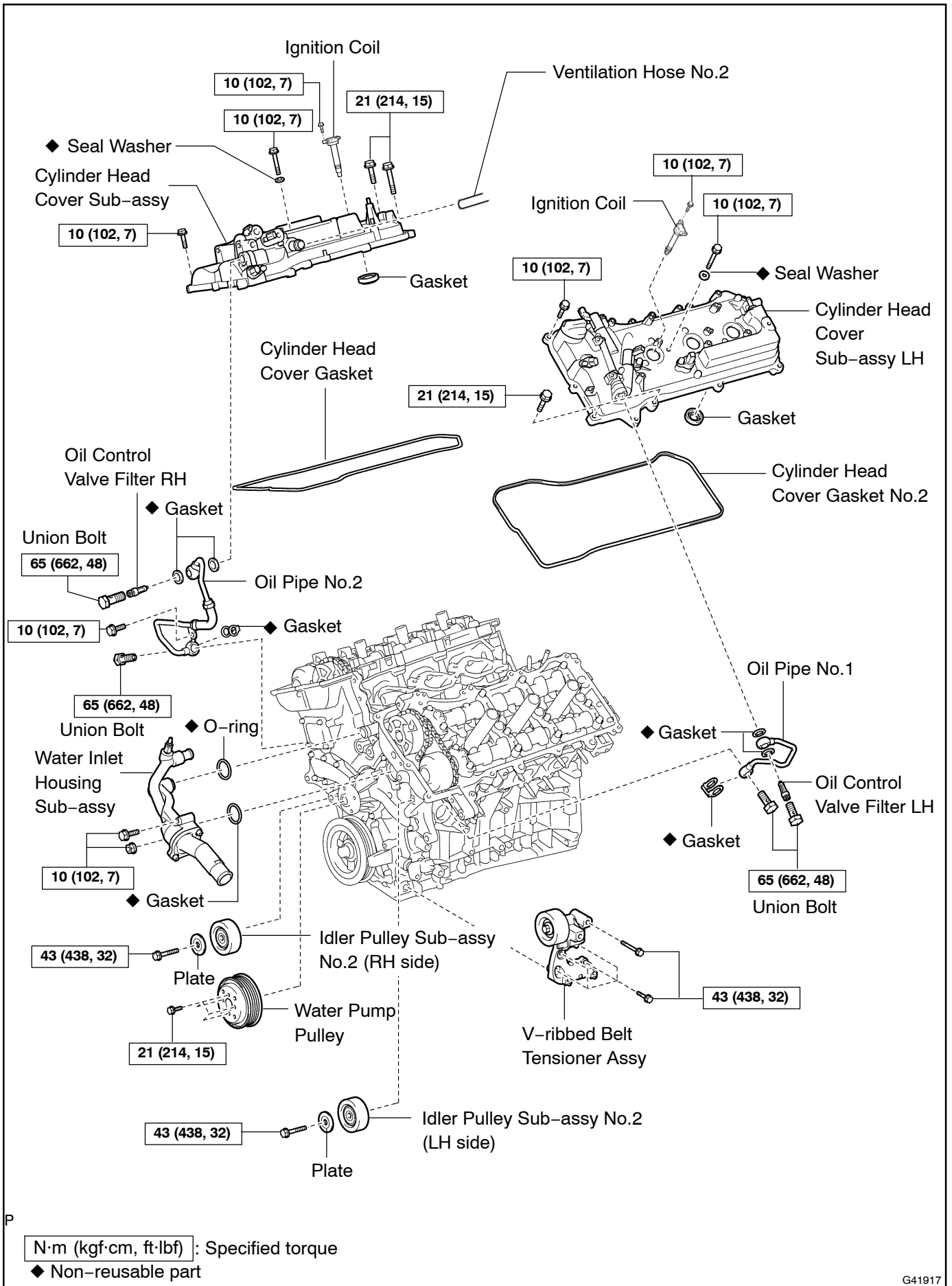
T

G40661

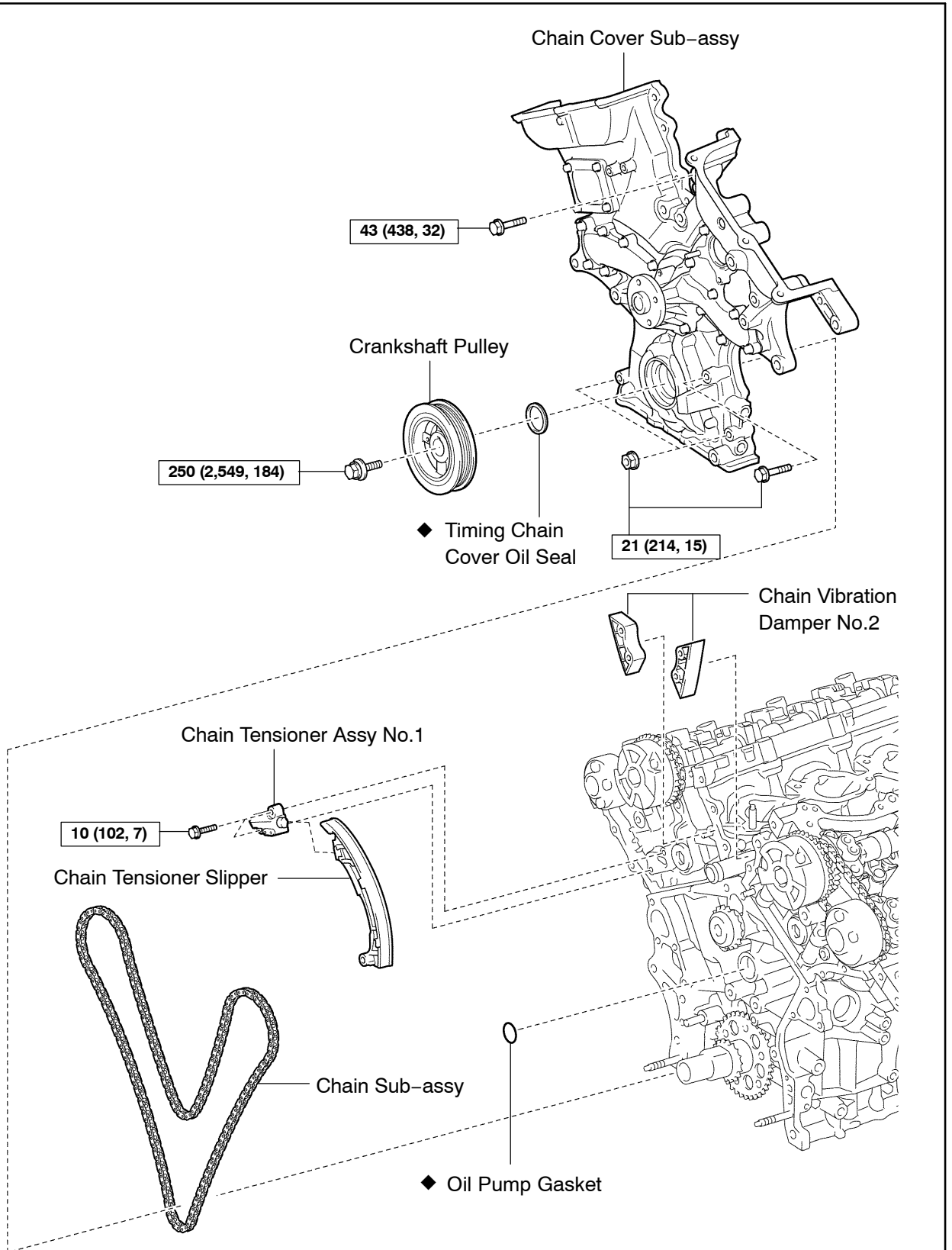


N·m (kgf·cm, ft·lbf) : Specified torque  
 ◆ Non-reusable part

ENGINE MECHANICAL - CYLINDER HEAD GASKET (2GR-FE)



G41917

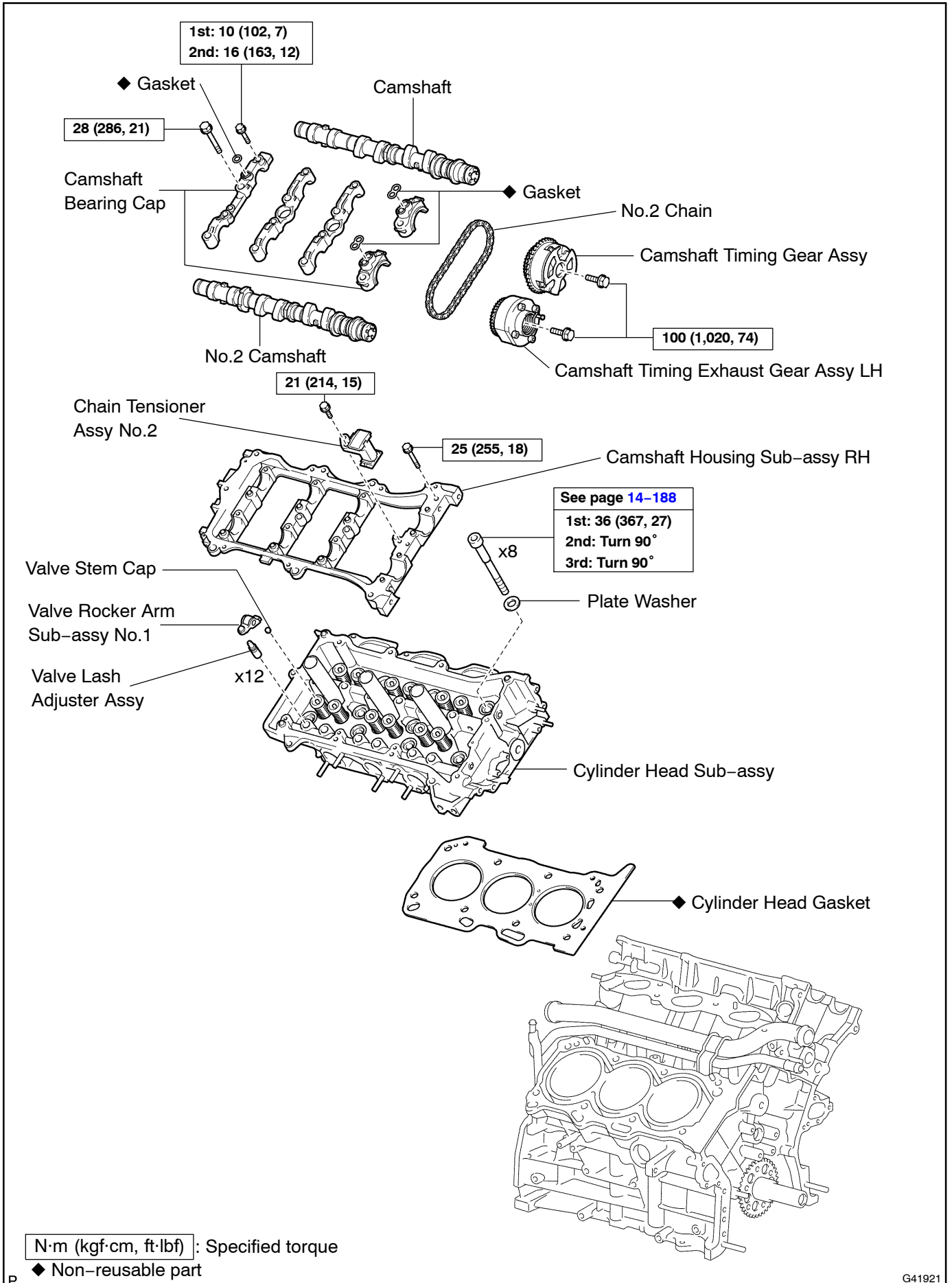


N·m (kgf·cm, ft·lbf) : Specified torque

◆ Non-reusable part

P

G42383



G41921